

KJ-2 PCB Drilling Machine

Product descriptions and features

Features

- Stable, reliable and cost-effective
- The detection technology of contact type tool broken real-time reaction to prevent hole drilling missing caused by tool breakage
- High-speed, high-performance air bearing spindle to improve machining quality
- Integrated configuration of drilling and routing [optional] to meet various machining requirements

For Material

PCB, composites [plastic]

Applied Range

Hole drilling on the flat or circular surface of the shell for 3C products, PCB hole drilling



KEJIE website



KEJIE wechat

Parameters

Item	Parameter
Working area X/Y/Z	290/550/50mm
Quantity of machining stations	2 stations
Max spindle speed	160000rpm
Rapid traverse rate X/Y/Z	35/35/30 m/min
Cutting feed rate X/Y/Z	1.2/1.2/3m/min
Positioning accuracy	0.005mm
Repeatability	0.0025mm
Capacity of tool magazine	250pcs
Machine weight	4500kg
Machine dimension	2100x2060x2000mm
Power supply	3-PH AC380V ±5% 50Hz

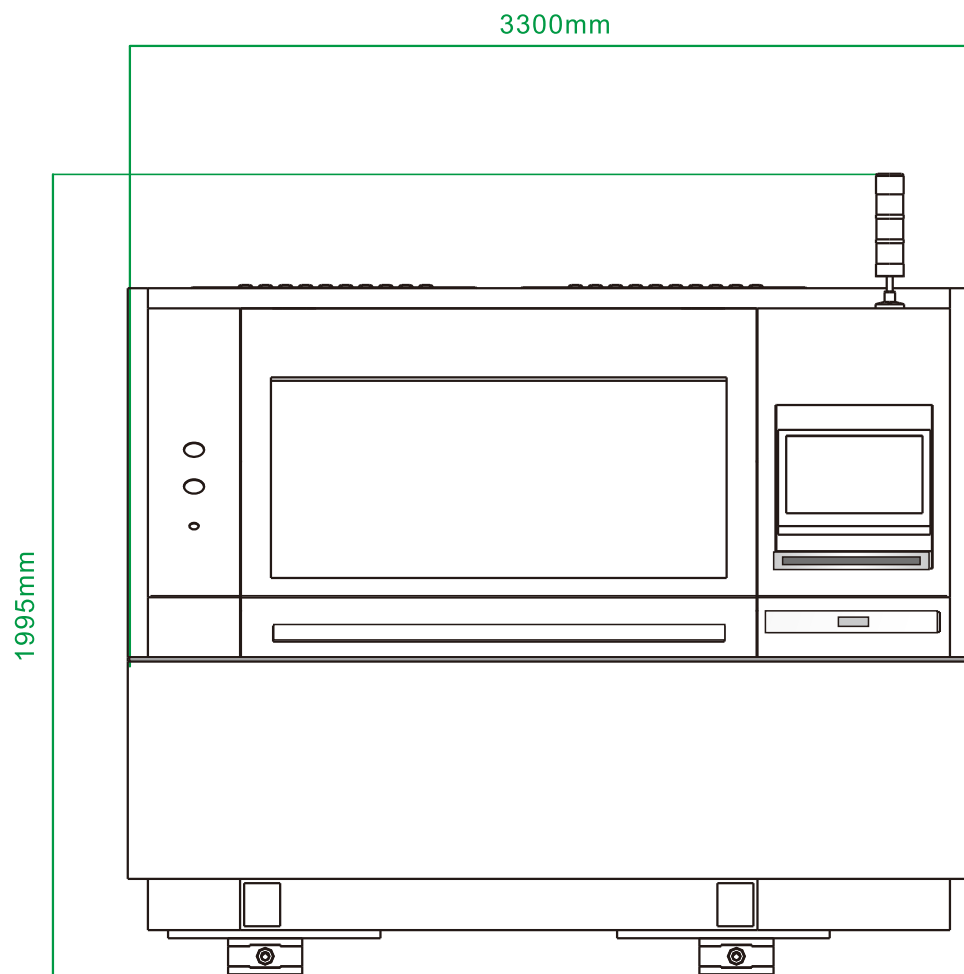
Standard Accessories

- CNC controller
- Air bearing spindle
- AC servo motor
- Precision ball screw and guide rail
- Linear encoder
- Laser tool setting sensor
- Spindle cooling system
- Air drier
- Dust collecting hood
- Tool magazine

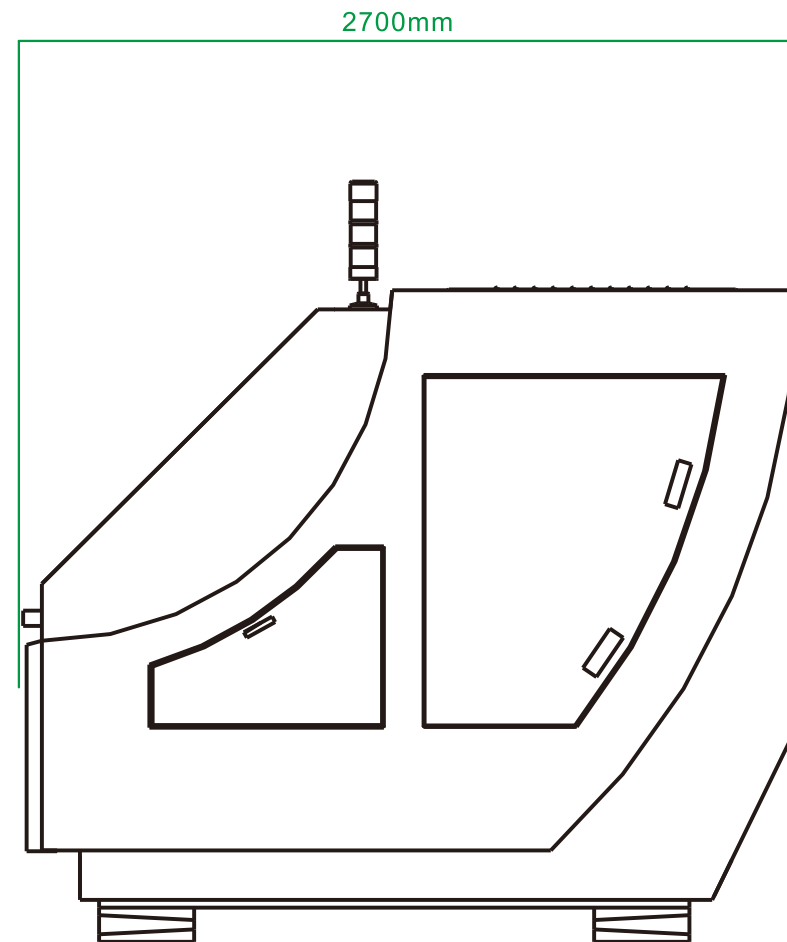
Optional Accessories

- Integrated configuration of drilling and routing
- Automatic protective door

Machine dimension



Front



Left