



## JKJFA-4A

### High Speed 4-axis Drilling Machine

#### Product descriptions and features

##### Features

- Granite machine bed, stable structure
- Modular customized design of the fixture for different machining requirements
- Auto-door, more effective
- Grating protection, more safe

##### For Material

PCB, composites [plastic]

##### Applied Range

Hole drilling on the flat or circular surface of the shell for 3C products, PCB hole drilling



KEJIE website



KEJIE wechat

## Parameters

Item	Parameter
Working area X/Y/Z	290/550/50mm
Quantity of machining stations	4 stations
Max spindle speed	160000rpm
Rapid traverse rate X/Y/Z	35/35/30 m/min
Cutting feed rate X/Y/Z	1.2/1.2/3m/min
Positioning accuracy	0.005mm
Repeatability	0.0025mm
Capacity of tool magazine	4pcs
Machine weight	5000kg
Machine dimension	2095x1850x2155mm
Power supply	3-PH AC380V ±5% 50Hz

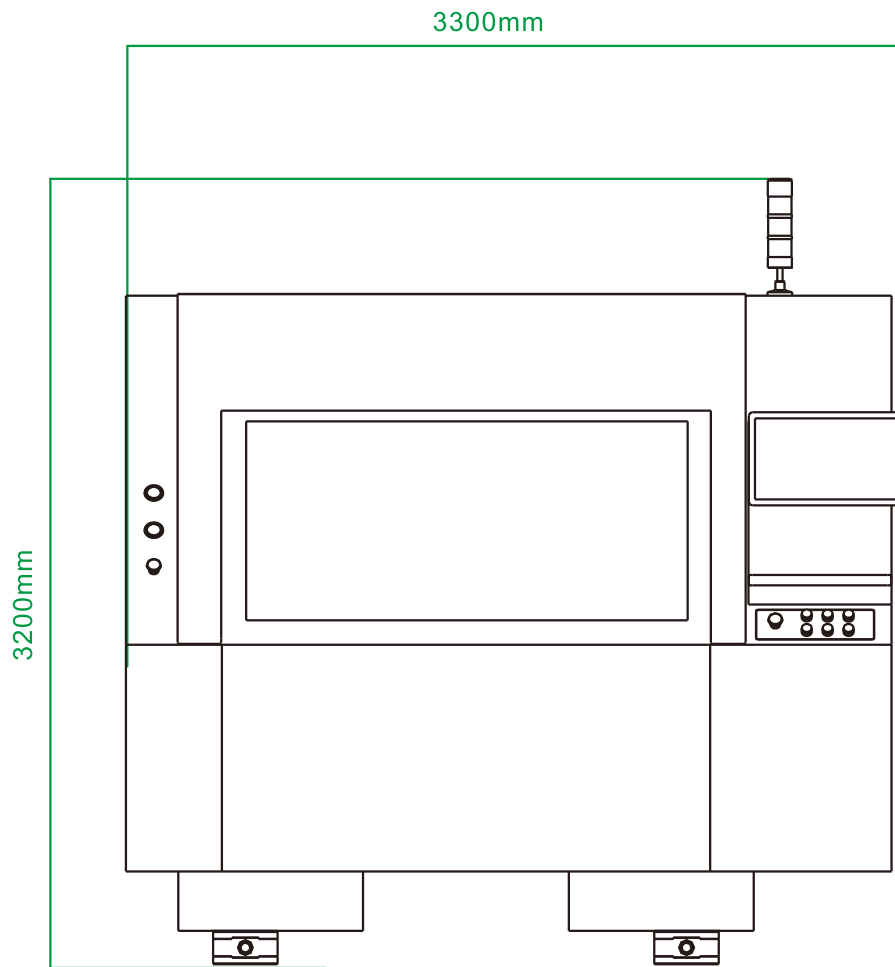
## Standard Accessories

- CNC controller
- Air bearing spindle
- AC servo motor
- Precision ball screw and guide rail
- Linear encoder
- Laser tool setting sensor
- Spindle cooling system
- Air drier
- Dust collecting hood
- Tool magazine

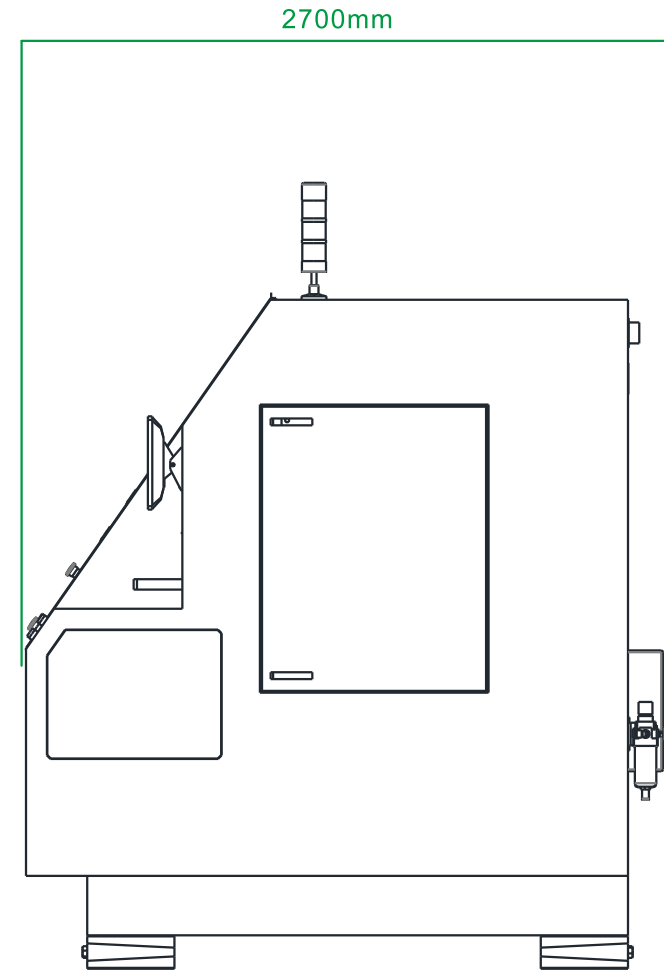
## Optional Accessories

- Fixture of workpiece[flat or 360°rotated]

Machine dimension



Front



Left